

**95/1
M 453 C**

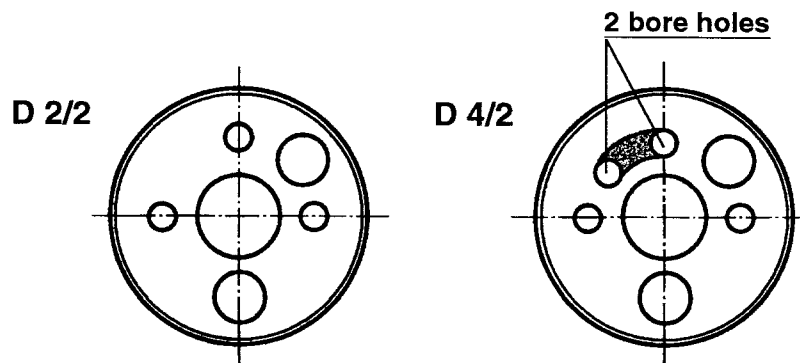
MaK injection nozzles M 453 C

Within the scope of further technical development the injection nozzles of these engines have been modified from one to two bore holes for the fuel supply.

The nozzles are fully exchangeable!

There will be no changes in the injection pressure or in the fuel rack index values.

Designation:	old	new
Heavy Fuel Operation	D 2/2	D 4/2
Operation with MDO	D 3/2	D 5/2



Please hand over this information on board to avoid uncertainties in connection with delivery of the new injection nozzles.